

SLANTED HEATED HOLDING SHELVES

NEW MODEL: HHS-27-3621-ST

PERFORMANCE FEATURE SHEET

Slanted shelves assist with first in, first out operation, helping to move products forward

Fast heat up & recover times
Reaches 170°F (79.5°C) in less than 15 minutes

Additional sizing available
We can customize the HHS-ST to fit your specific needs and packaging

All stainless construction
for durability and easy cleaning



Adjustable thermostat controller is rear-facing on operator side. Includes manager lock-out capability to prevent staff intervention

Blanket elements deliver precise and consistent radiant heat, eliminating hot and cold spots. Top shelf is not heated, perfect for storage of containers, utensils, sauce packets, etc.



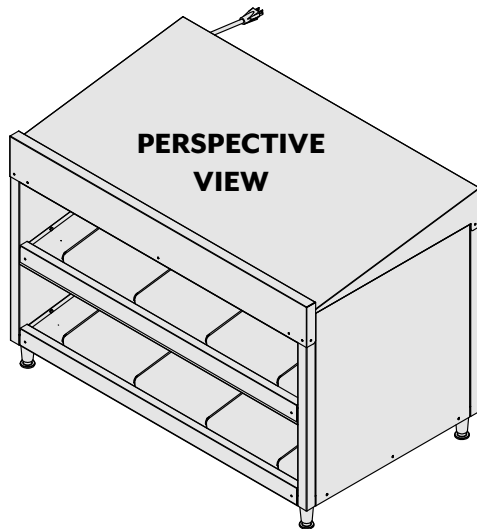
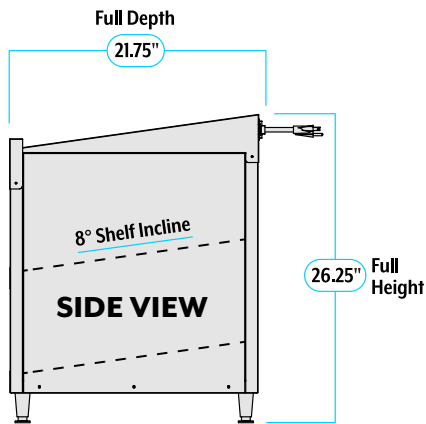
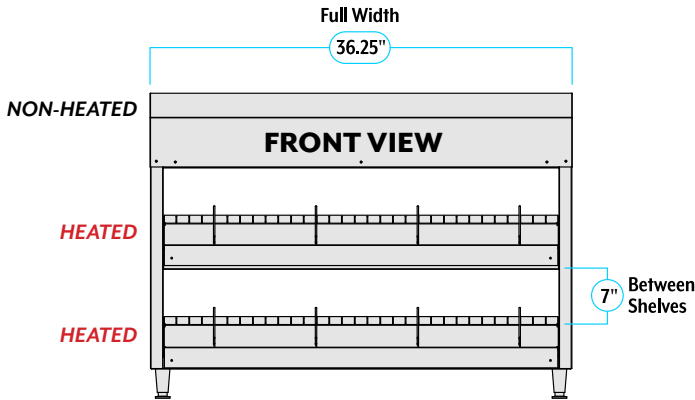
Dividers are adjustable at 1" increments and removable to fit various product sizes and a changing menu

2.5" Adjustable legs for proper placement on uneven surfaces

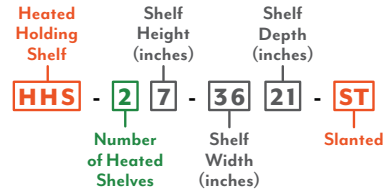
MODEL: HHS-27-3621-ST



Performance Feature Sheet | Slanted Heated Holding Shelves



MODEL NOMENCLATURE



ELECTRICAL DATA:

Volts: 120
 Watts: 694
 Amps: 5.8
 Hertz: 50/60
 Phase: Single



US: 5-15P



CAN: 5-15P

DIMENSIONS:

Height: 26.25" (674mm)
 Depth: 21.75" (553mm)
 Width: 36.25" (921mm)

CRATED WEIGHT:

215lbs (98kg)

OPTIONAL ACCESSORIES:

- Individual Power Switches Per Shelf (Add IS)
- Custom Sizing (Consult Factory)
- LED Lighting
- Powder Coating
- Graphic Wrap (Sides and Header)
- Additional Divider Bars
- Optional Heated Top

