



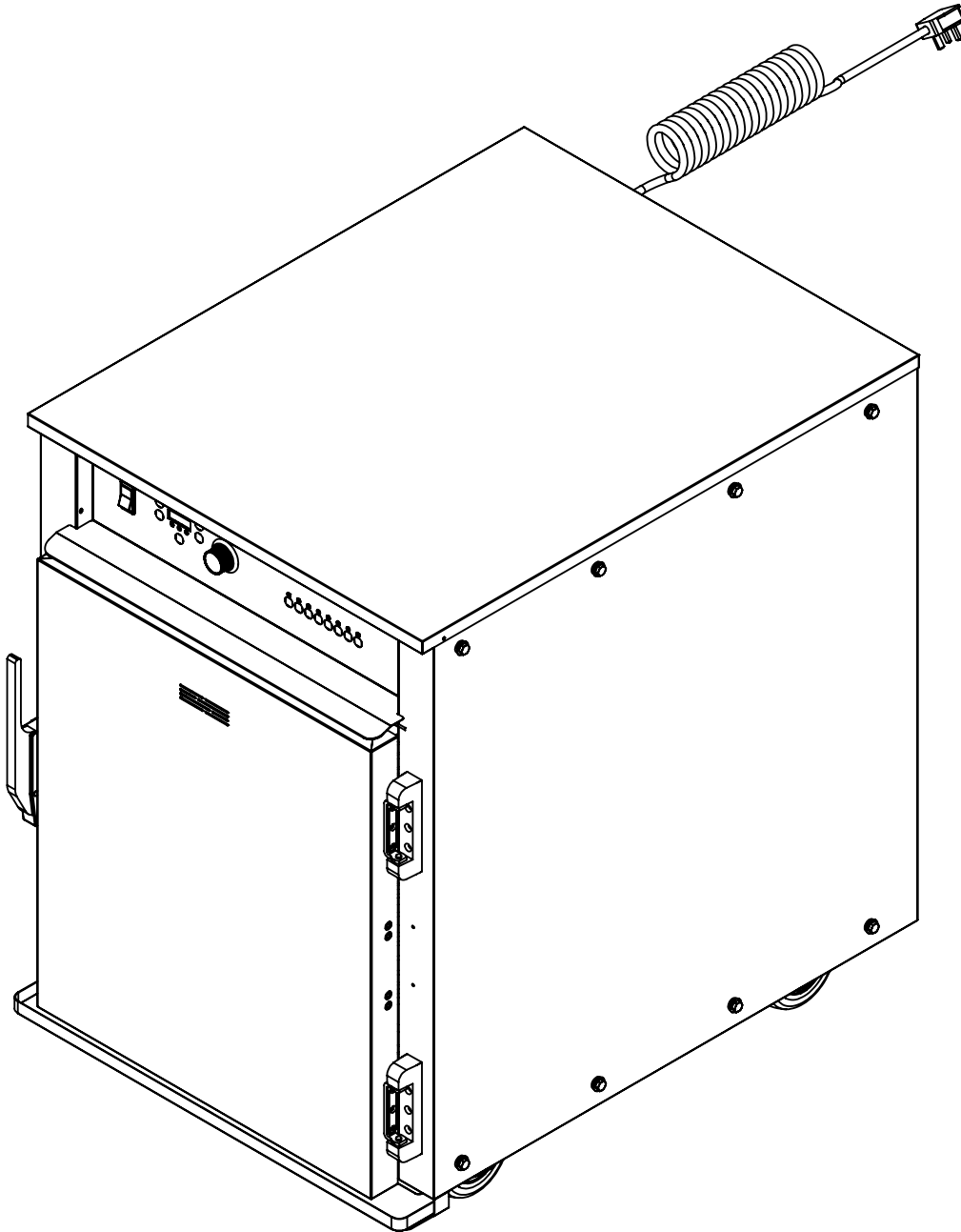
5599 Highway 31 West
Portland, TN 37148
(615)325-2774

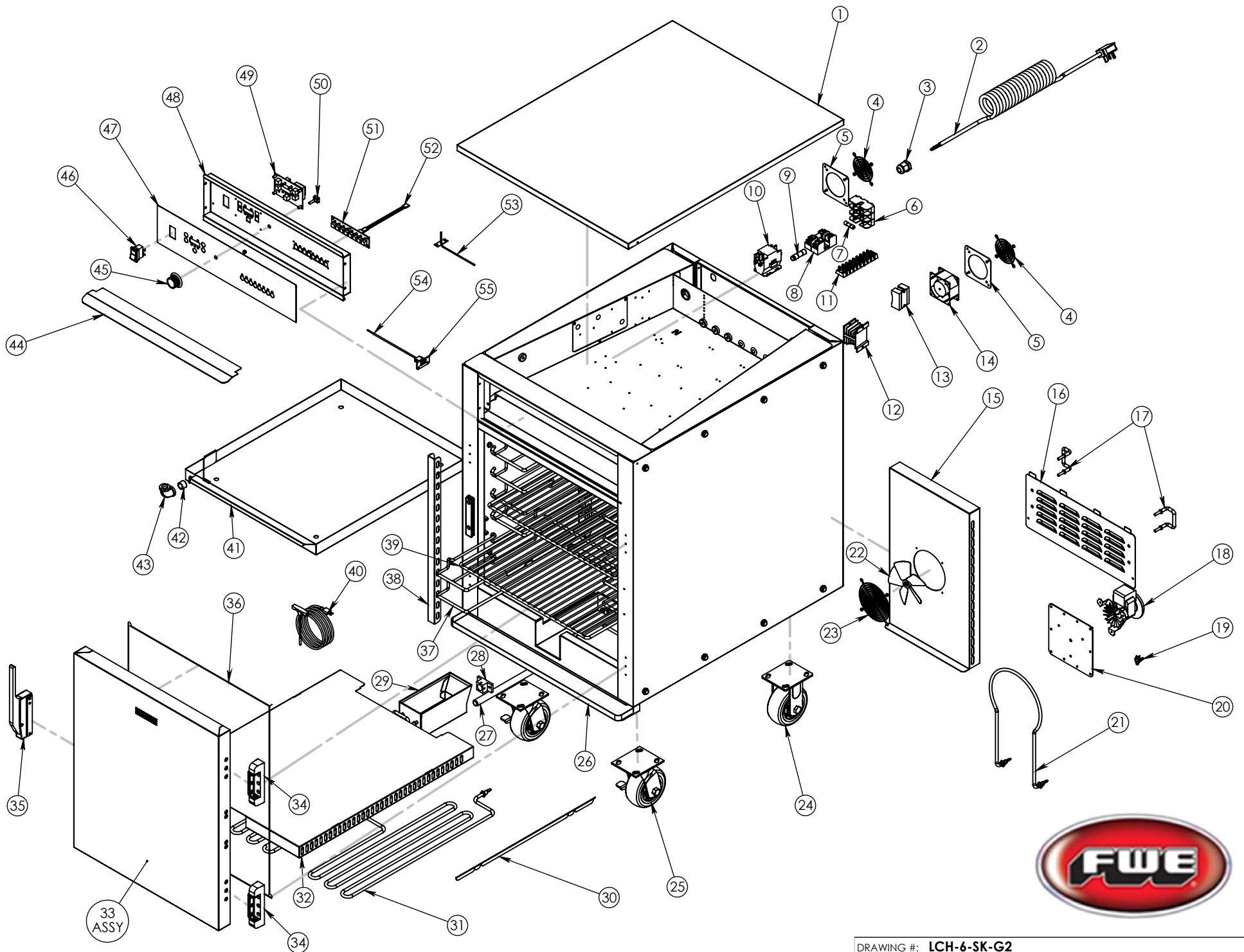
LCH-6-SK-G2

Pg.1TITLE PAGE

Pg.3LCH-6-SK-G2 BOM

Pg.2LCH-6-SK-G2





DRAWING #: LCH-6-SK-G2	
DESCRIPTION: COOK & HOLD WITH SMOKE FEATURE	
DRAWN BY: DP	LAST SAVED BY: dplodzien

ITEM NO.	QTY.	PART NO.	DESCRIPTION
1	1	24917	OUTSIDE TOP
2	1	CRDSET-13-250-NS	CORDSET UK 13A/250V UK SPIRAL
3	1	STRN RELIEF LTF 13.5	STRAIN RELIEF HEYCO 3216
4	2	GRD FAN	FAN GUARD
5	2	54932	FAN MOUNT PLATE 3-125 SQ
6	3	FSHLDR-MID-30-1	HKP FUSEHOLDER 30 AMP LCH
7	3	FS-LP-MID-10AMP	FUSE 10 AMP LOW PEAK MIDGET (LP-CC)
8	2	FSHLDR-30AMP-LCH	HKP FUSEHOLDER 30 AMP LCH
9	2	FS-FRN-R20	FUSE 20 AMP 250V RK5 TD FUSE
10	1	CONTACT-2POLE-208-240-40	CONTACTOR RELAY 2-POLE 208/240V 40A
11	1	TRM BLK-08	TERMINAL BLOCK -8 POLES
12	1	SSR HEAT SINK	X50 HEAT SINK - PANEL MOUNT
13	1	RLY 50AMP	SSR RELAY 50A 230V
14	1	FAN PHTT 230	SUNON 230V FAN,80 X 80 X 38MM
15	1	59933	BACK TUNNEL
16	1	53454	HUMITEMP LOUVER PANEL W/TABS
17	3	BRK CRD 1	BRACKET CORD WINDING
18	1	BLWR-208-240-50 NH	BLWR ASSY 208/240V 50HZ NO HSG 1800
19	1	HI-LIMIT 400 DEG	HI-TEMP SNAP DISC 400 DEG. F AUTO
20	1	59537	LCH MOTOR MOUNTING PLATE
21	1	EL1250-240-LCH	ELEMENT 1250 WATT 240 VOLT
22	1	BLD FAN HR .25	FAN BLADE ALUMINUM 5-1/2" 5-BLADES
23	1	GRD FAN EBM 4000	GUARD FAN EBM 4000
24	2	CSTR 52-R-PPF	CASTER 5X2" EZ ROLL RIGID POLY BLUE
25	2	CSTR 52-SB-PPF	CASTER 5X2" EZ ROLL SWIVL POLY BLUE
26	1	68765	LCH-SK-G2 DRIP PAN
27	1	EL300-240-9	CARTRIDGE HEATER 300W/240V 9"
28	1	SMOKER ELEMENT BLOCK 3	MACHINED 304SS BLOCK
29	1	Z-600-4166	SMOKER CHIP BOX ASSY
30	1	65946	LCH-6-SK DIVERTER PLATE

31	1	EL1250-240	ELEMENT 1250 WATT 240 VOLT
32	1	59937	BOTTOM ELEMENT COVER
33	1	Z-301-4439 (INCLUDES 34-36)	LCH-6 DOOR EDG/MAG VENTED RH-FR
34	2	HNG-217	DOOR HINGE EDGEMOUNT 1.375" REF
35	1	LTH DR MAG-RH	LATCH OFFSET COMPOSITE, BLACK
36	1	GSKT-D-27X23-125	SILICONE GASKET D-27X23.125
37	12	SLD-UHS245-SS	TRAY SLIDE STAINLESS STEEL SS ELECTRO-POLISH
38	4	59944	UPRIGHT
39	2	SHLF-SS-21X27	SHELF STAINLESS STEEL 21" X 27.5"
40	1	PRB MT RTD-2	RTD MEAT PROBE - MOLDED HANDLE
41	1	Z-600-4508 (INCLUDES 42 & 43)	DRIP PAN DRAIN ASSY
42	1	PIPE-NIPPLE-SS-50-FLTRD	PIPE NIPPLE SS 50X150 FULL THREADED
43	1	ELB90-SS-50	ELBOW S/S 1/2" PIPE
44	1	69030	CONTROL HEAT GUARD
45	1	KNB H6 SS	KNOB WITH ARROW AND SET SCREW
46	1	SWH RCK HY60	SWITCH NON-LT ON/OFF ROCKER BLK
47	1	CNTRL PNL S-LCH-SK-PRGM	LCH OVERLAY SINGLE SMOKE PROGRAM
48	1	69764	M-WAVE CNTRL HOUSING 8B
49	1	CNTRL BRD LCH PRGM 240	CONTROL BOARD PROGRAMABLE 240V
50	1	CNTRL PNL ENCODER	ENCODER FOR LCH CONTROLLER
51	1	CNTRL BRD LCH PRGM 8	8 BUTTON PREST CNTRL BRD W 8 GR LED
52	1	CBL LCH 17	CNTRL BRD LCH PRGM CABLE 17"
53	1	PRB RTD	RTD TEMPERATURE PROBE
54	1	PRB RTD 36	RTD THERMOCOUPLE ASSY 36"
5	1	67125	PROBE THERMO COUPLE MOUNTING BRKT



DRAWING #: **LCH-6-SK-G2**

DESCRIPTION: **COOK & HOLD WITH SMOKE FEATURE**

DRAWN BY: DP

LAST SAVED BY: dplodzien