



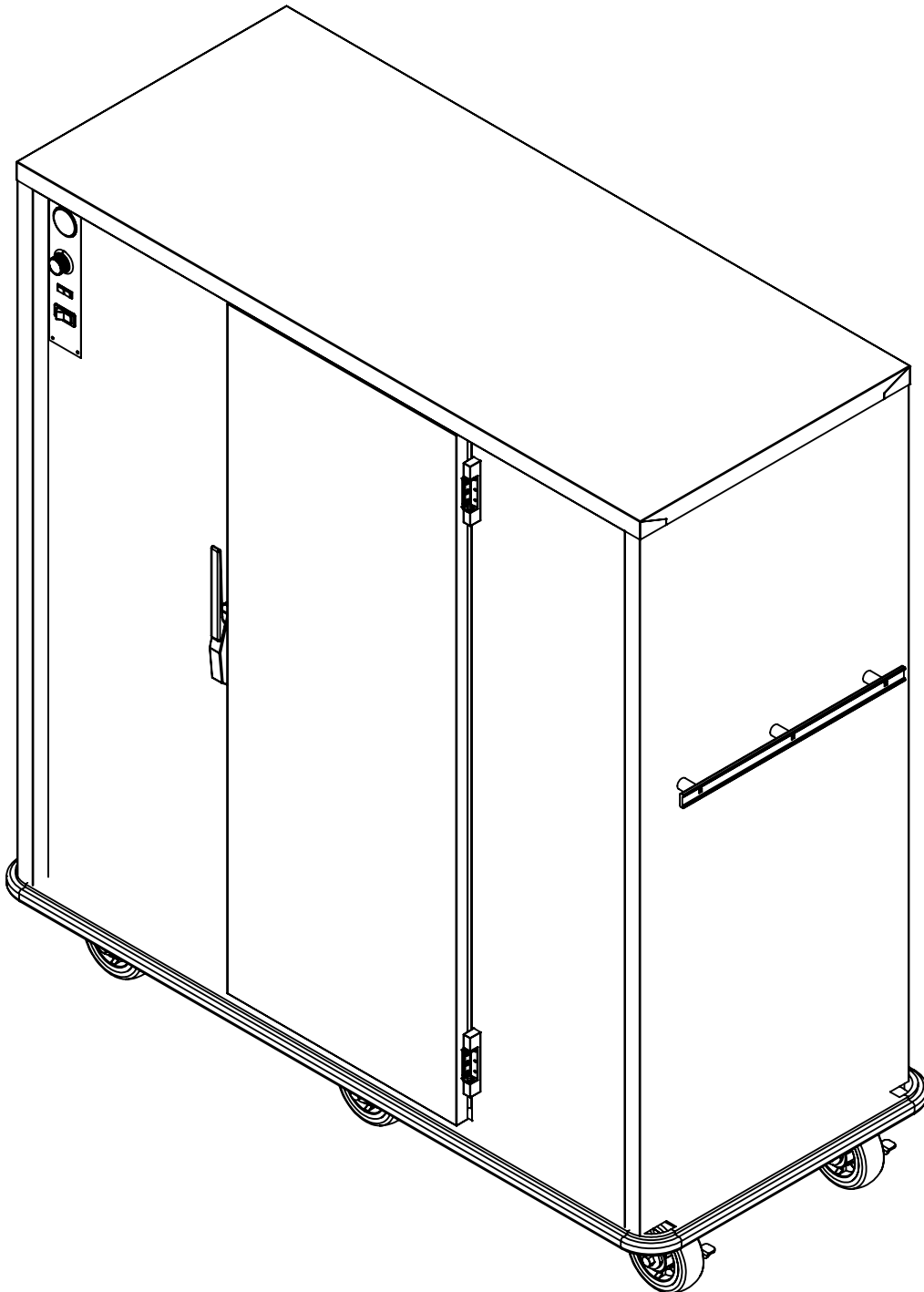
5599 Highway 31 West
Portland, TN 37148
(615)325-2774

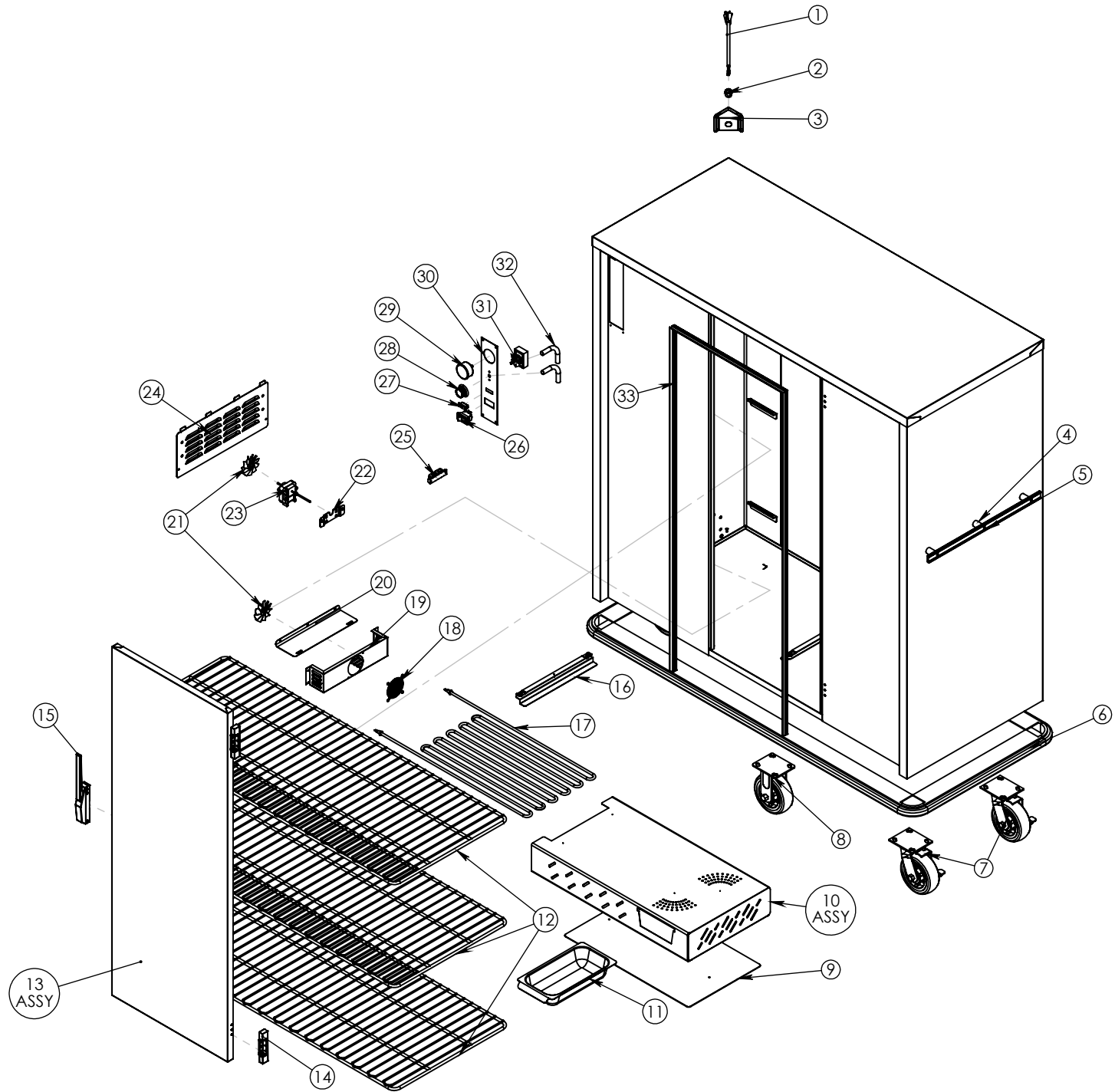
P-180

Pg.1 . TITLE PAGE

Pg.3 . P-180 BOM

Pg.2 . P-180





DRAWING #: **P-180**

DESCRIPTION: **BANQUET CABINET HUMI-TEMP**

DRAWN BY: DP

LAST SAVED BY: andrew82

ITEM NO.	QTY.	PART NO.	DESCRIPTION
1	1	CRDSET20-115	CORD 12' 115 VOLT 5-20P 12GA 3 WIRE
2	1	BSH STRN 4	STRAIN RELIEF FOR 20 AMP CORD
3	1	69730	HUMI TRI-CORD BRCKET DD .770X .875
4	6	SPCR125X.330	HANDLE SPACERS FOR HDL 21 AND 12.
5	2	HDL-215-AL	HANDLE PUSH AL 21.5
6	1	Z-200-1049	P-180 BUMPER ASSEMBLY
7	4	CSTR 62-SB-PPF	CASTER 6" SWIVEL BRAKE EZ ROLL POLY
8	2	CSTR 62-R-PPF	CASTER 6" RIGID EZ ROLL POLY
9	1	50300	ALUM HTNG ELEMENT CVR
10	1	Z-600-1241 (INCLUDE 11)	WATER PAN TUNNEL ASSEMBLY
11	1	WATER-PAN-3RD-WHDL	WATER PAN 2.5" X6.75 X
12	3	SHLF-P200	SHELF 22.25x54.75"
13	1	Z-301-3936 (INCLUDES 14 & 15)	DOOR ASSY EDG/EDG PRESS IN RH
14	2	HNG-214	DOOR HINGE EDGEMOUNT .875"
15	1	LTH-DR	DOOR LATCH EDGEMOUNT STYLE CHROME
16	1	Z-600-1351	P-180-2 ELEMENY HOLDER ASSEMBLY
17	1	EL2000-120HT-XL-28	TUBULAR HEAT ELEMENT 2000W 120V, XL
18	1	GRD FAN	FAN GUARD
19	1	5345	HUMITEMP BLOWER HSING (P200 P180)
20	1	4041	HUMITEMP BLOWER LID
21	2	BLD FAN AL	FAN BLADE 3" ALUMINUM
22	1	80610	BRACKET MOTOR MNT FOR BAY MTR
23	1	MTR BY120 92	MOTOR DUAL SHAFTED 120 VOLT
24	2	53454	HUMITEMP LOUVER PANEL W/TABS
25	1	TRM 4QC	TERMINAL BLOCK 4QC
26	1	SWH RCK E1	SWITCH NON-LT ROCKER 125/250V 20AMP
27	1	LT PLT A-G	INDICATOR LIGHT AMBER GREEN 125V
28	1	KNB H6	KNOB WITH ARROW
29	1	T-METER H1	THERMOMETER 100-220
30	1	CNTRL-PNL-HUMI-TEMP-AL	ALUM PANEL FOR HUMI-TEMP
31	1	T-STAT H1	THERMOMSTAT HEAT CONTRL 90-190 36"
32	2	SLV-ACRYLIC-WHITE-7-16 @ 25'	SLEEVING ACRYLIC 7/16 ID WHITE FAI
33	1	GSKT-D-57-218X21-812	SILICONE DR GASKET D 48.062X21.812



DRAWING #: **P-180**

DESCRIPTION: **UNIVERSAL SERVER**

DRAWN BY: DP

LAST SAVED BY: dplodzien