



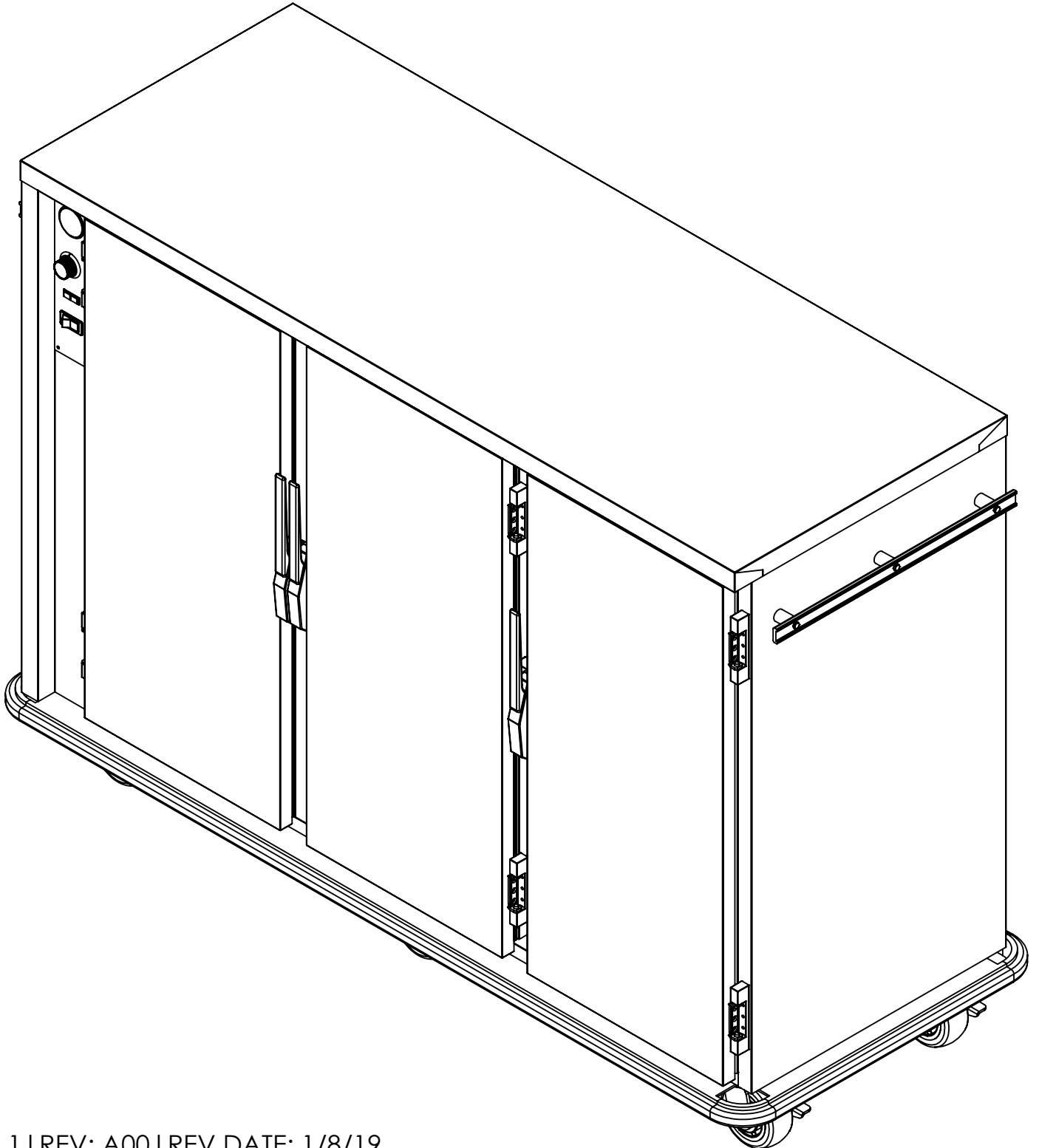
5599 Highway 31 West
Portland, TN 37148
(615)325-2774

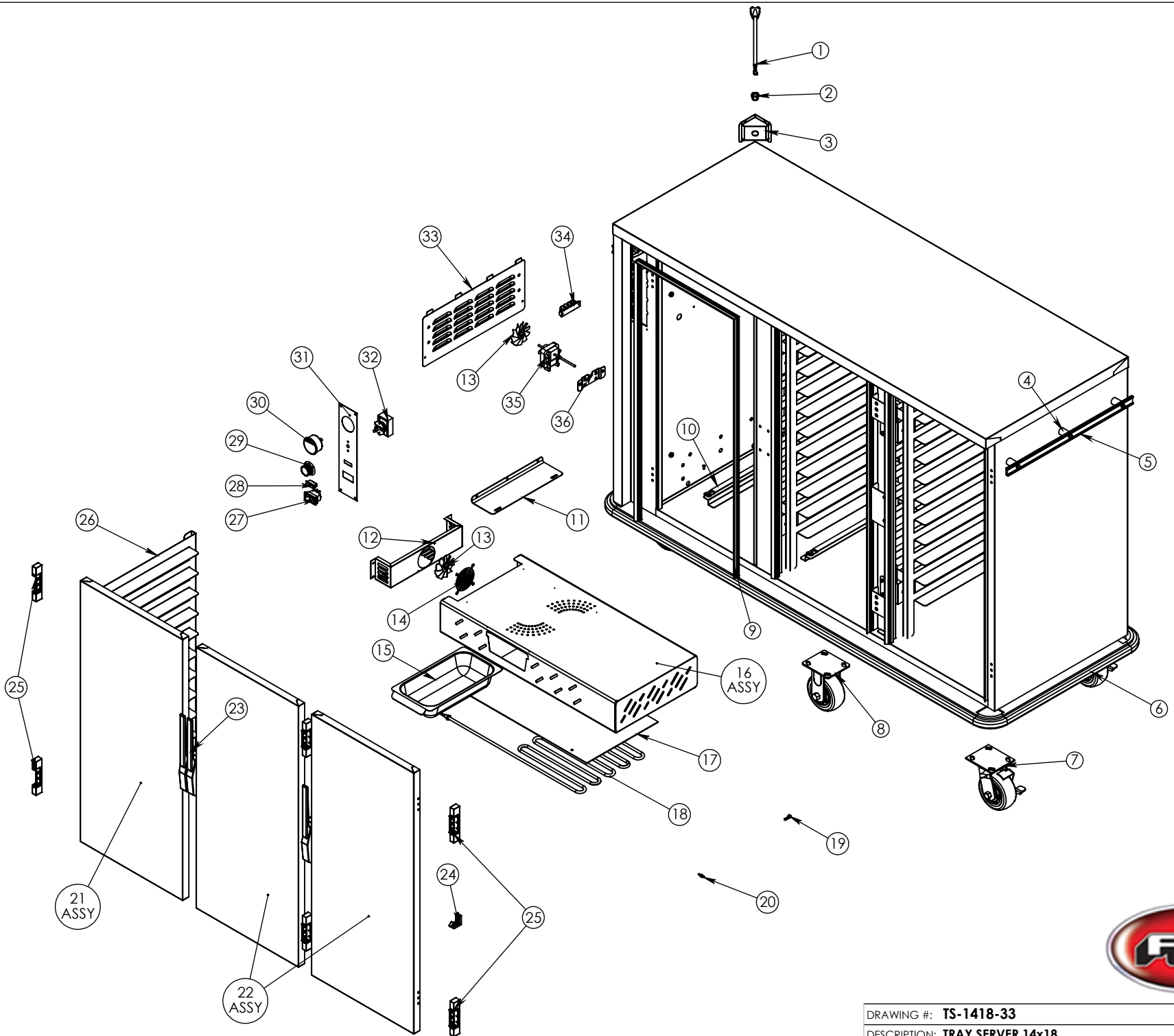
TS-1418-33

Pg.1 . TITLE PAGE

Pg.3 . TS-1418-33 BOM

Pg.2 . TS-1418-33





DRAWING #: **TS-1418-33**

DESCRIPTION: **TRAY SERVER 14x18**

DRAWN BY: DP

LAST SAVED BY: andrew82

ITEM NO.	QTY.	PART NO.	DESCRIPTION
1	1	CRDSET10-115	CORD 12' 115V 5-15P 14GA 3WR 15AMP
2	1	BSH STRN 3	STRAIN RELIEF FOR 15 AMP CORD
3	1	69729	HUMI TRI-CORD BRCKET DD .672X .750
4	6	SPCR125X.330	HANDLE SPACERS FOR HDL 21 AND 12.
5	2	HDL-215-AL	HANDLE PUSH AL 21.5
6	1	Z-200-1120	TS-1418-33 BUMPER ASSEMBLY
7	4	CSTR 52-SB-PPF	CASTER 5" SWIVEL BRAKE EZ ROLL POLY
8	2	CSTR 52-R-PPF	CASTER 5" RIGID EZ ROLL POLY
9	3	GSKT-D-38-625X17-250	SILICONE DR GASKET D 38.625X17.2
10	2	Z-600-1486	TS-1418-33 ELEMENT HOLDER ASSEMBLY
11	1	4041	HUMITEMP BLOWER LID
12	1	5345	HUMITEMP BLOWER HSING (P200 P180)
13	2	BLD FAN AL	FAN BLADE 3" ALUMINUM
14	1	GRD FAN	FAN GUARD
15	1	WATER-PAN-3RD-WHDL	WATER PAN 2.5" X6.75 X
16	1	Z-600-1485	TS-1418-33 WATER PAN TUNNEL ASSY
17	1	51296	TS-1418-33 HEATING ELEMENT COVER
18	1	EL1500-115A	ELEMENT 1500 WATT 115 VOLT 24" HT
19	3	CLP-AL1-4	CLAMP 1-4" ALUM
20	2	S8X8THUM	SCRW #8x.5TY.A SS T32-5020
21	1	Z-301-4544 (INCLUDES 23 , 24 , 25)	TS-1418-33 DOOR ASSY EDG/EDG LH
22	2	Z-301-4543 (INCLUDES 23 , 24 , 25)	TS-1418-33 DOOR ASSY EDG/EDG RH
23	3	LTH-DR	DOOR LATCH EDGEMOUNT STYLE CHROME
24	3	STK LTH 1	DOOR LATCH STRIKE FOR LTH DR
25	6	HNG-214	DOOR HINGE EDGEMOUNT .875"
26	6	83032	TS-1418-33 FIXED RACK 3" SPACING
27	1	SWH RCK E1	SWITCH NON-LT ROCKER 125/250V 20AMP
28	1	LT PLT A-G	INDICATOR LIGHT AMBER GREEN 125V
29	1	KNB H6	KNOB WITH ARROW
30	1	T-METER H1	THERMOMETER 100-220
31	1	CNTRL-PNL-HUMI-TEMP-AL	ALUM PANEL FOR HUMI-TEMP
32	1	T-STAT H1	THERMOMSTAT HEAT CONTRL 90-190 36"
33	1	53454	HUMITEMP LOUVER PANEL W/TABS
34	1	TRM 4QC	TERMINAL BLOCK 4QC
35	1	MTR BY220 93	MOTOR DUAL SHAFTED 220 VOLT
36	1	80610	BRACKET MOTOR MNT FOR BAY MTR



DRAWING #: **TS-1418-33**

DESCRIPTION: **TRAY SERVER 14X18**

DRAWN BY: DP

LAST SAVED BY: dplodzien